

DYNAMIC CHECKWEIGHER CW-15K

- Heavy load, for product weight up to 15kg, with accuracy under 5 grams;
- For pouches, bags, and soft-sided containers, bottles;
- Easy to operate with in inch screen, can store 100 different products;
- With different rejector option, can also integrate with metal detector.

Multiple industrial application



Seed



Logistic



Automation



0.1-15 kg

Weighing range



± 5g

Accuracy



110 +Pcs/min

Speed



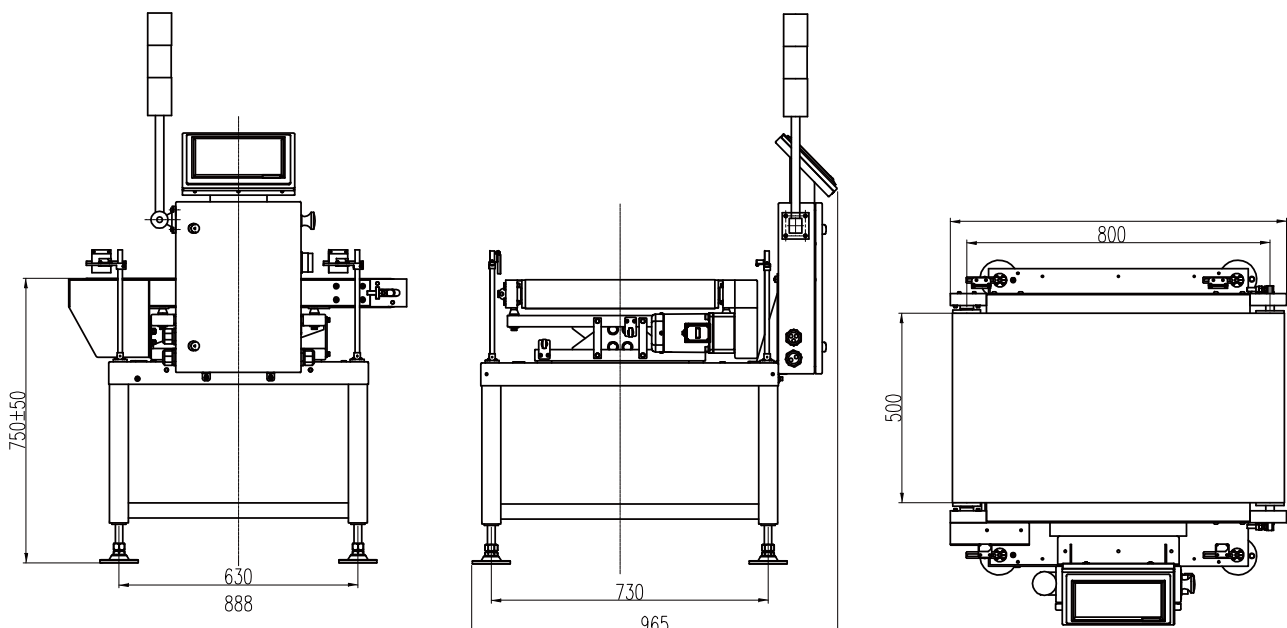
Standard specification

Model	CW-15K
Weighing range	0.1~15kg
Scale division	1g
Highest Accuracy(3 σ) *	± 5 g
Highest Weighing speed *	110 pcs/min
Belt speed	8~90 m/min
Belt size	800×500mm
Weighing platform Height **	750±50mm
Tested object size	Length: 100~600mm Width: 50~450mm Height: 50~500mm
Belt material	PVC (black)
Structure of the material	Carbon steel, SS304 stainless steel (weighing platform)
Alarm light	3-color signal light (Red, yellow, green) , Optional buzzer
Display size	10-inch color touch screen
Rejector lineup	optional
Power	Single Phase AC-220V $\pm 10\%$, 50/60HZ
operating temperature	0~40°C
IP grade	IP54

* Depend on the weight, size, and material of test object. Test accuracy:5g at 120pcs/min

Dimensions

Unit:mm



BARRANQUILLA

Cll. 45 No. 39 - 07 PBX.: (605) 370 3366

Cra. 40 No. 37 - 55 Tel.: (605) 379 23 13

MEDELLIN

Carrera 43G No. 26 - 75 Tel: (604) 401 77 07

CALI

Carrera 10 No. 9 - 08 Tel: (602) 895 96 23

www.macoser.co



info@macoser.com.co



@macoser.co



MACOSER®